

## AUTOMATIC CAR MOUNT WIRELESS CHARGER

Please read this instruction manual carefully and keep it properly before using this product.

EN

## Thank you for purchasing and using this product!

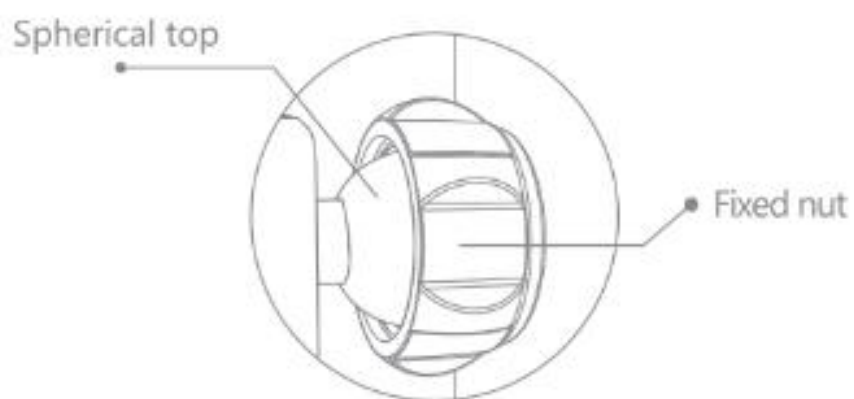
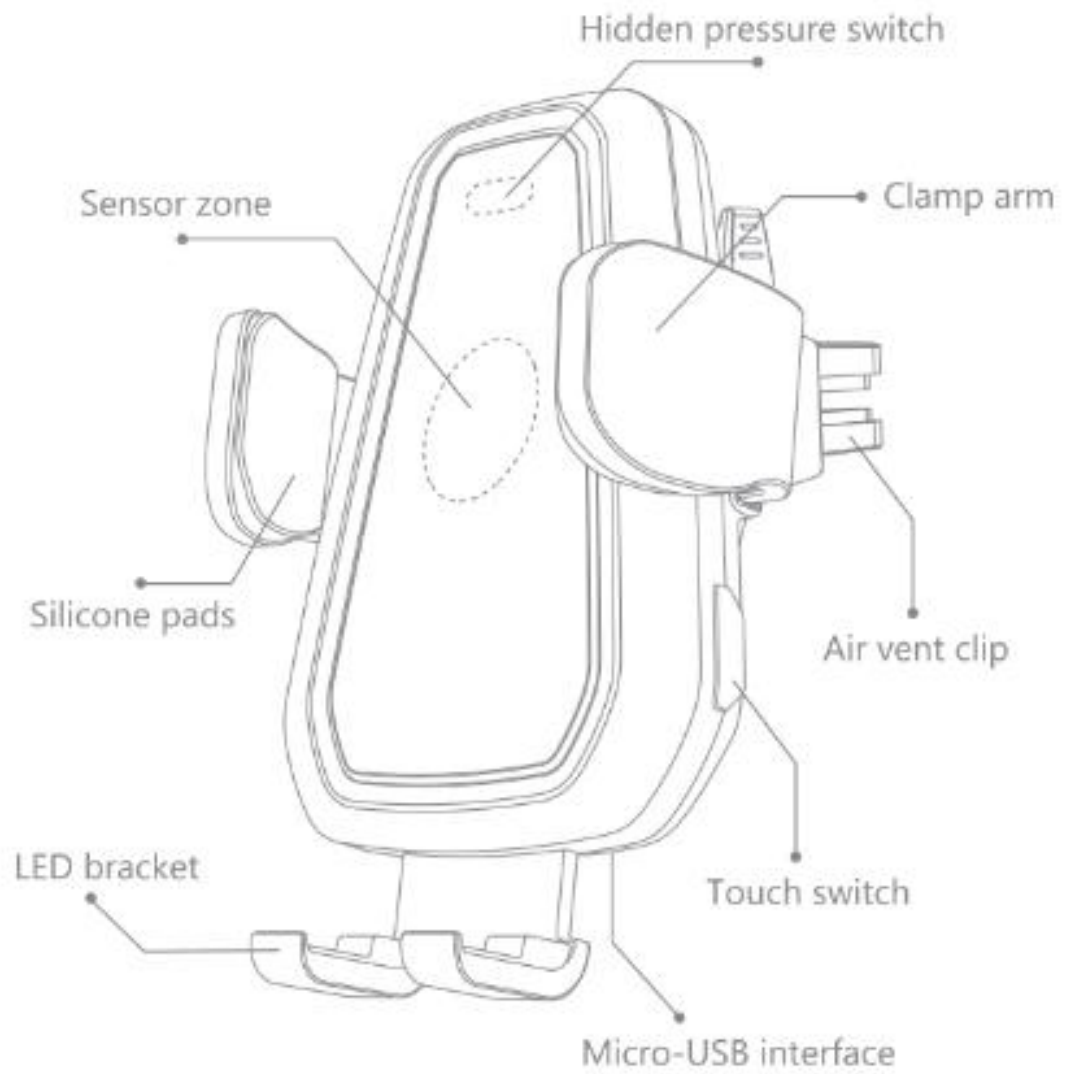
In order to bring you a better experience, please read this manual and refer to your mobile phone or other electronic products instruction manual as well.

## Product Specifications

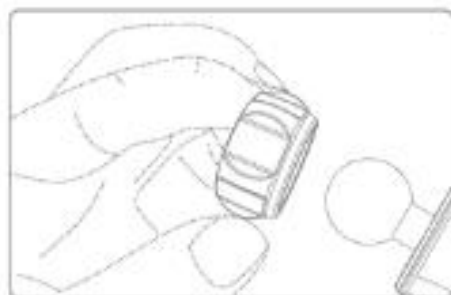
Product Name	Automatic Car Mount Wireless Charger
Model	CTEZ59
Size	≈(118×83×67)mm
Net Weight	≈137g
Input	5V = 2A / 9V = 2A
Output	10W Max
Charging Induction Distance	≈(6-8)mm
Application Model	Compatible with iPhone, Samsung, LG, Moto etc.
Package Includes	Automatic car mount wireless charger ×1, Charging cable ×1, Air vent clip ×1, Manual book ×1

The parameters above are derived from the laboratory of VANMASS™. The actual parameters would be different because of products and other factors. The image shown here is indicative only.

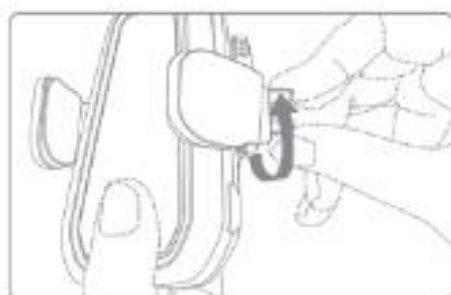
## Product Overview



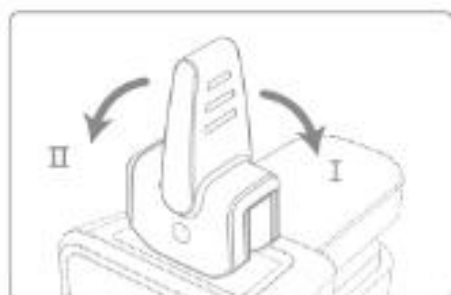
## Instructions



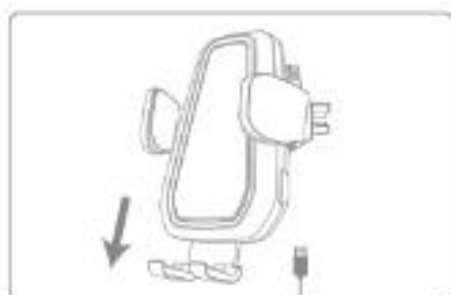
1. Unscrew the fixed nut and choose the air vent clip, then set the ball in the fixed nut . Fasten the nut into the spherical top and push the nut forcibly into the round hole at the back of the car phone mount.



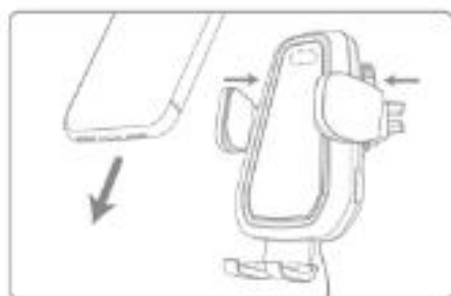
2. Tighten the nut clockwise to adjust the angle of wireless car charger.



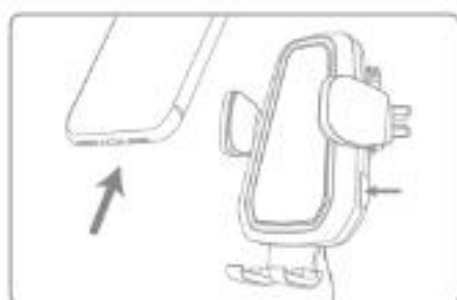
3. Fix the automatic wireless car charger on the suitable place of air vent. There are two gears in the clip, and left or right can be selected. It is recommended that the thick wind leaf choose one " I " and thin choose two " II ".



4. Plug the Micro-USB charging cable into the power interface. Pull down the LED bracket and the height adjustment area appears. Customers can adjust the LED bracket's height according to their cell phones' size.

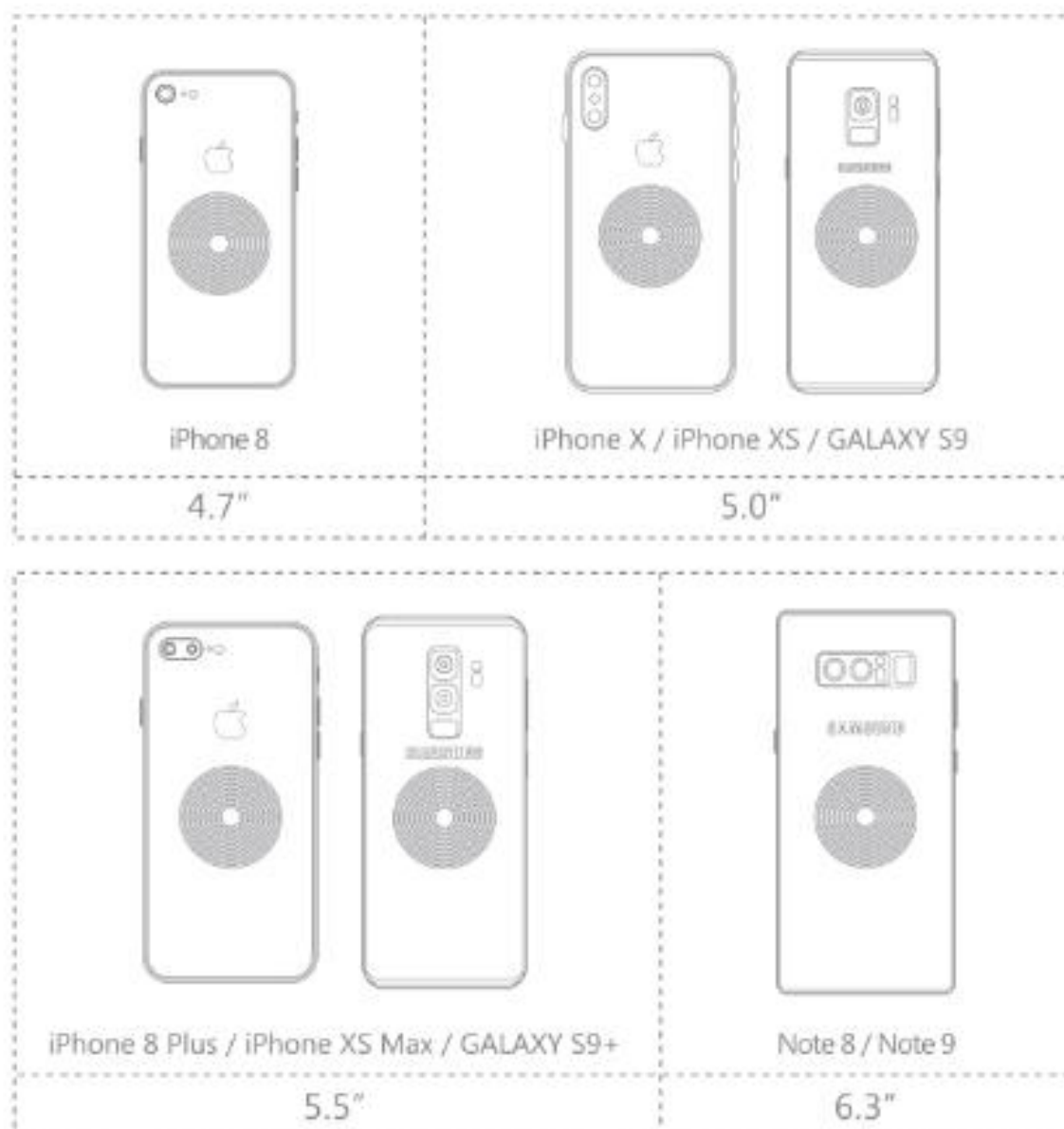


5. Put the mobile phone in the car phone mount to trigger switch. The arm lock automatically clamps the mobile phone and starts the wireless charging. At the same time, the LED bracket lights up. If there is no respond with the arm lock, tap the upper part of the phone screen.



6. Pressing any button on the edge shortly, the arm lock stretches automatically after using. You can take out your phone from the mount easily as shown in the picture.

### The LED bracket corresponds to the phone model



### The LED light display status of wireless charger

CHARGING STATUS	LED LIGHT DISPLAY STATUS
Power on	The red indicator light is bright on for 3 seconds and then goes out.
Standby	The indicator light goes out.
Charging	The blue breathing light is on (dark until bright for 1s, bright until dark for 1s, cycling all the time).
Mobile phone full of electricity	When the phone is full of electricity, the blue light is always-on for 20 seconds and then goes out.
Abnormal FOD (foreign object detection)	The red light flashes 10 times: lights for 1s, extinguishes for 1s and then goes out.
Built-in battery with low voltage	When putting on the phone, the beep sound will prompt charging and the motor will not start.

## Notes

1. Please install the car holder on a suitable place before starting driving navigation and do not operate and adjust the bracket during driving.
2. The automatic car mount supports 4-6.5 inches of mainstream model mobile phone, and the cell phone should have wireless charging function.
3. The mobile phone case with metal on the back will lead to the failure of wireless charging function and the possibility of damage to the wireless car charger. Please check carefully before using.
4. Please turn on car vent condition (fan) when it is a hot day or you need to use the item for a long time, which will help you to cool down the wireless car charger and speed up charging process.
5. Please turn off the screen and navigation and charge your phone for 10 minutes when your phone is in low power. Then open the navigation. It can avoid losing power very quickly.
6. Not toys for fun, please keep it away from children.